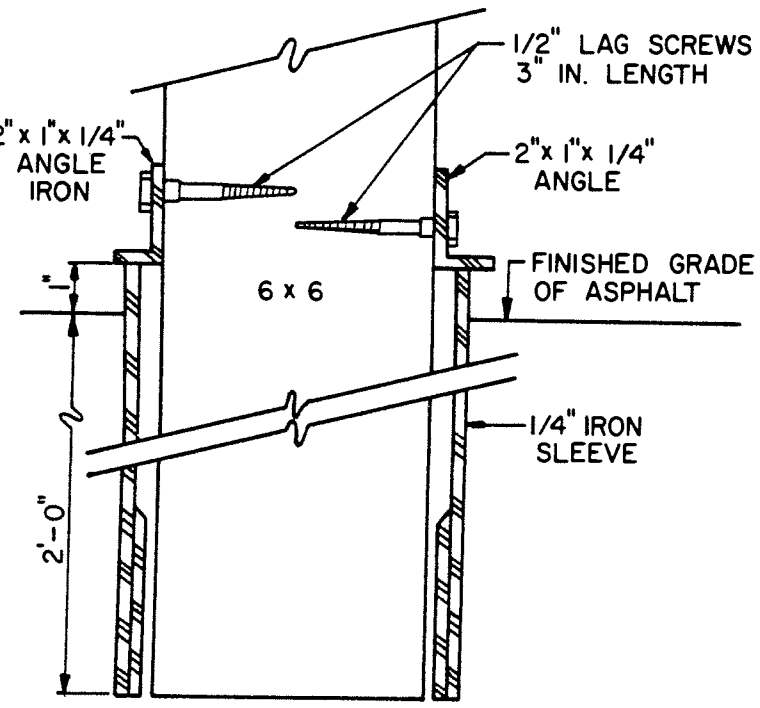
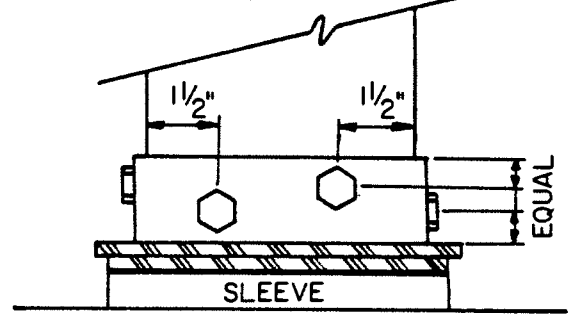
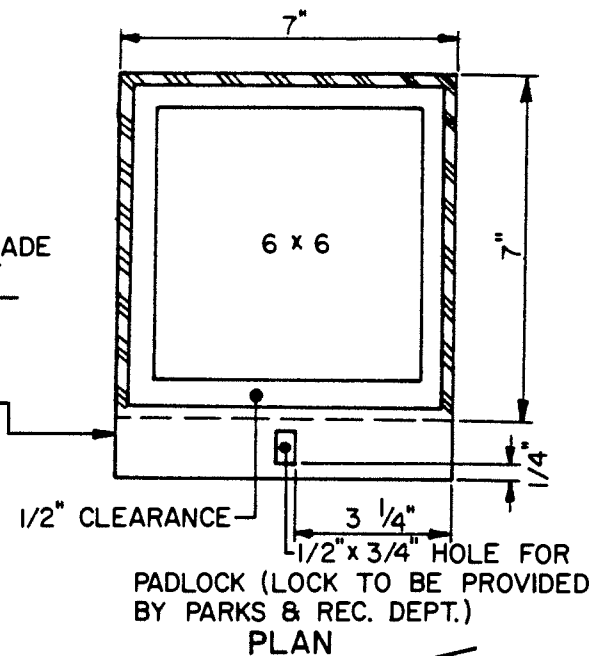


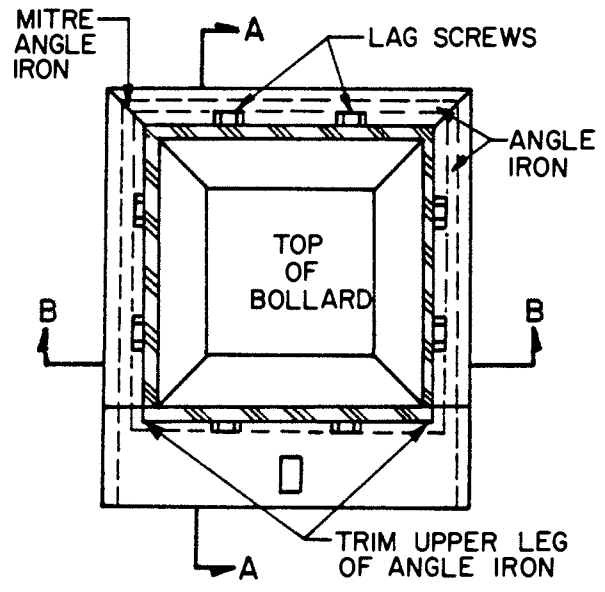
SECTION A-A



SECTION B-B



ELEVATION



PLAN

APPROVED 1/26/88
DATE

Kent Huston
CITY ENGINEER

REVISED:

REMOVEABLE
BOLLARD
DETAIL

CITY OF LANCASTER, OHIO
DEPARTMENT OF ENGINEERING

STANDARD
CONSTRUCTION DRAWING

DWG. BY: SLH
CHK'D BY:

FILE NUMBER
M-3