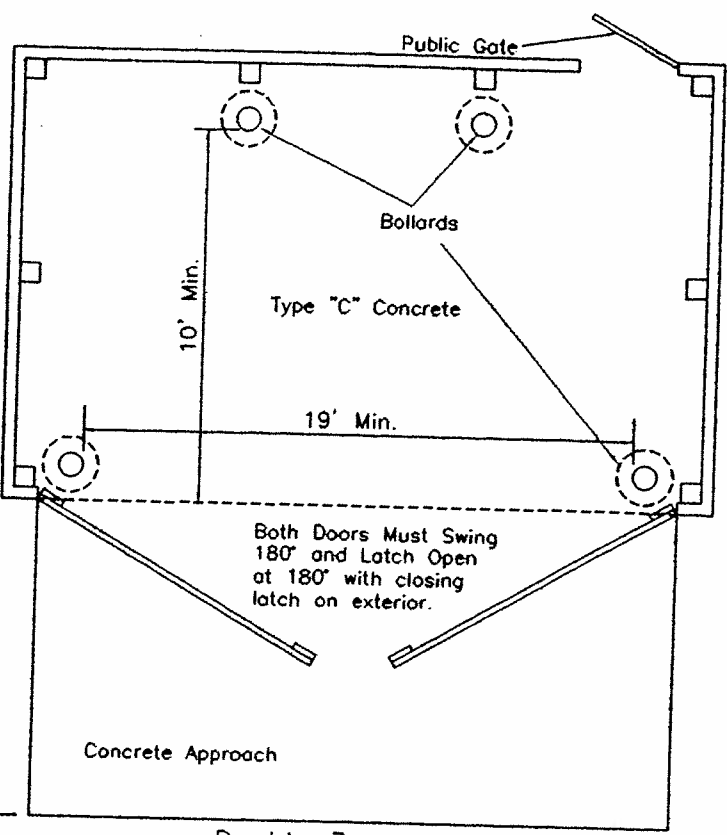
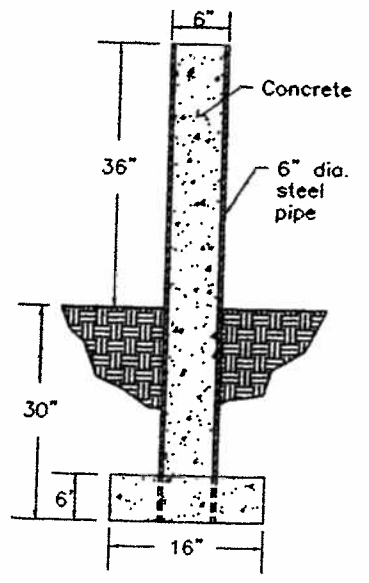
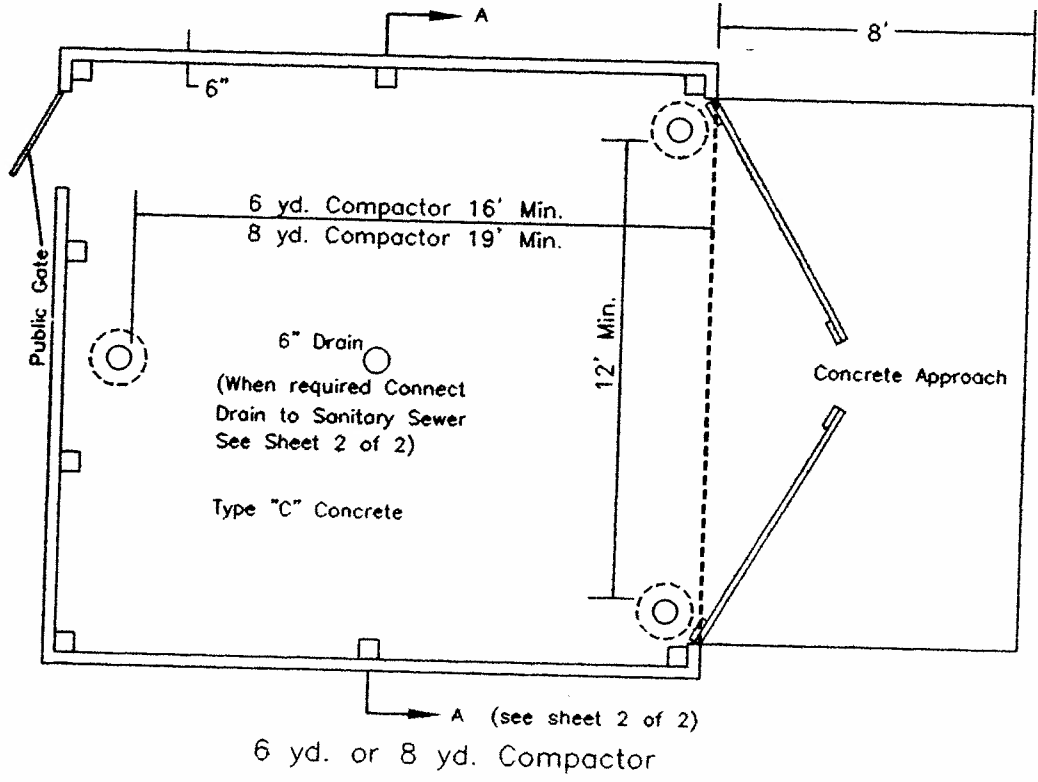


Single 3 or 4 yd.



Double 3 or 4 yd.

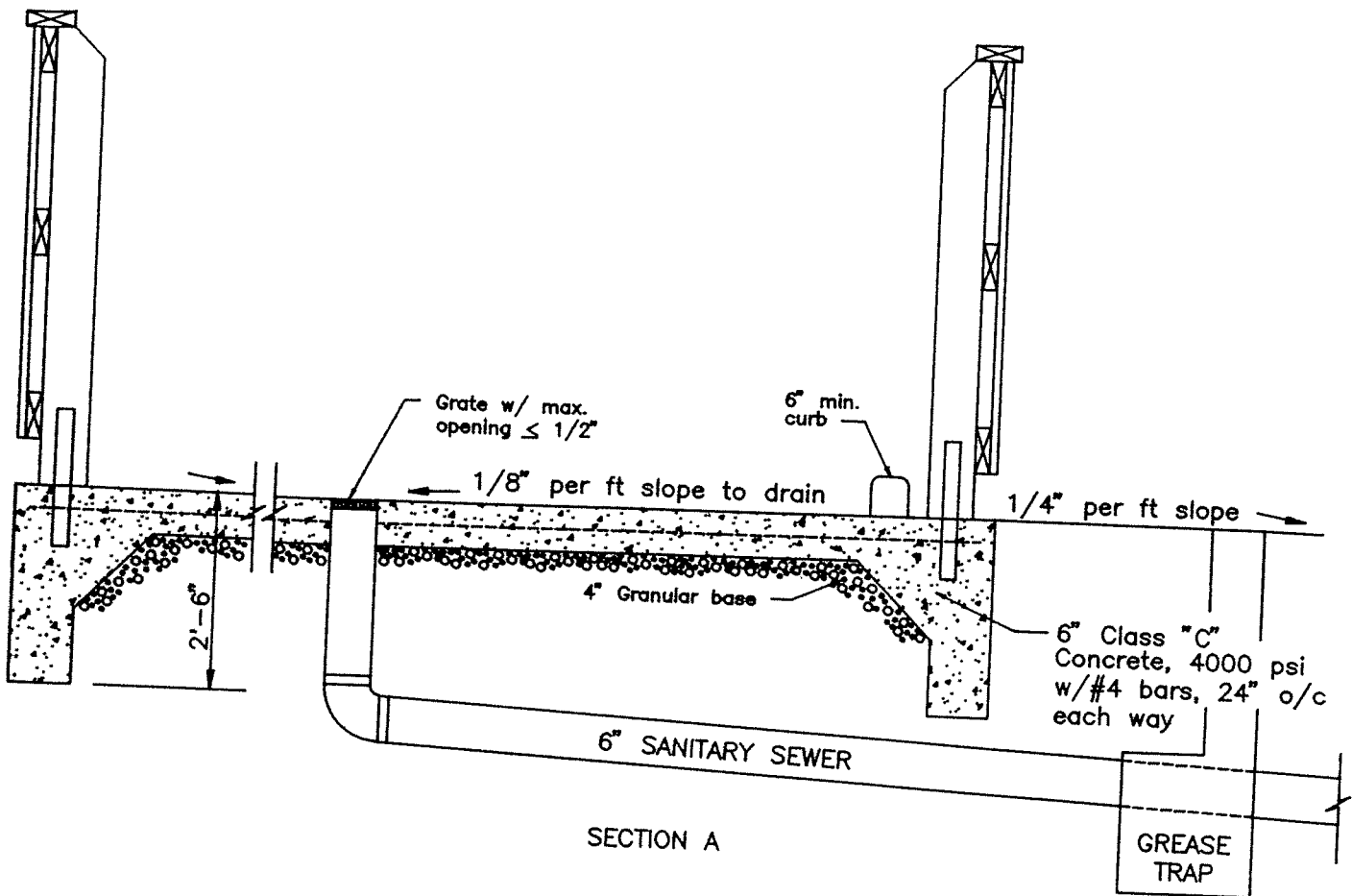


BOLLARD DETAIL

APPROVED *Tom Johnson*
 12-22-97
 SUPERINTENDENT, DIVISION OF SANITATION
Paul Hutton
 CITY ENGINEER
 REVISED: 12-22-97

SPECIFICATIONS
 FOR
 DUMPSTER ENCLOSURE

CITY OF LANCASTER, OHIO
 DEPARTMENT OF ENGINEERING
 STANDARD
 CONSTRUCTION DRAWING
 DWG. BY: *CSW*
 CHK'D BY:
 FILE NUMBER
 M-4 SHEET
 1 OF 2



1. Doors shall open 180° to full-swing and shall be secureable in the open position. A latch shall be installed on the exterior of the doors to secure them in the closed position.
2. Concrete is required for enclosure floor and approach
3. Height and construction materials of walls are optional.
4. When an enclosure with doors is used, a public gate no less than 36 inches wide shall be installed on the enclosure.
5. Water hose connection shall be available in or near enclosure.
6. Where wood construction is used, inside walls shall be protected by a railing or curb to prevent damage.
7. A drain shall be placed in the center of enclosure when required by the Superintendent, Division of Sanitation. The drain and pad shall be constructed such that the drain does not act as an area drain and drains only the dumpster enclosure. The pad shall be elevated such that it is 6-inches higher than any point 10 feet of its edge and the ground shall slope away from the pad at a minimum slope of 1/4 inch per foot.

APPROVED

Richard Evener
SUPERINTENDENT, DIVISION OF SANITATION

Kurt Huber
CITY ENGINEER

REVISED:

SPECIFICATIONS
FOR
DUMPSTER ENCLOSURE

CITY OF LANCASTER, OHIO
DEPARTMENT OF ENGINEERING

STANDARD
CONSTRUCTION DRAWING

DWG. BY:

CHK'D BY:

FILE NUMBER

M-4 SHEET
2 OF 2

City of Lancaster
Sanitation Department

743 S. Ewing Street
Lancaster, Ohio 43130
(614) 687-6660

Paul Martin

Superintendent

5/1/1997

CITY OF LANCASTER SANITATION DEPARTMENT
SPECIFICATIONS FOR DUMPSTER ENCLOSURE

1. Doors shall open 180 degrees to full-swing and shall be securable in the open position. A latch shall be installed on the exterior of the doors to secure them in the closed position.
2. Concrete is required for enclosure floor and approach.
3. Height and construction materials of walls are optional.
4. When an enclosure with doors is used, a public gate no less than 36 inches wide shall be installed on the enclosure.
5. Water hose connection shall be available in or near enclosure.
6. Where wood construction is used, inside walls shall be protected by a railing or curb to prevent damage.
7. A drain shall be placed in the center of enclosure when required by the Superintendent, Division of Sanitation. The drain and pad shall be constructed such that the drain does not act as an area drain and drains only the dumpster enclosure. The pad shall be elevated such that it is 6-inches higher than any point within 10 feet of its edge and the ground shall slope away from the pad at a minimum slope of 1/4 inch per foot.
8. Dumpster drains within structures shall be plumbed to the Ohio Plumbing Code.

This applies to enclosure has a pad 6" high & slope 1/4" per foot

