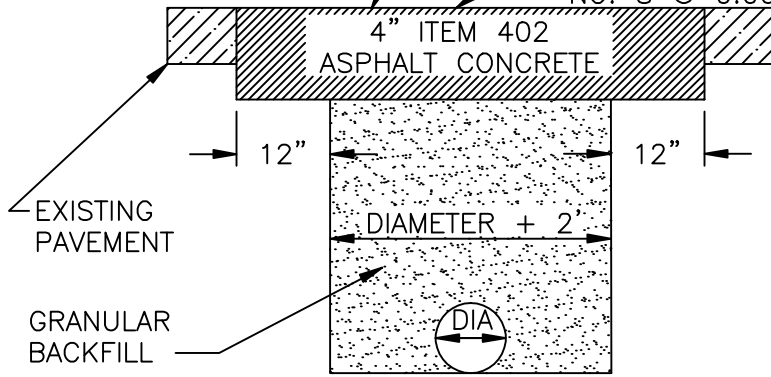


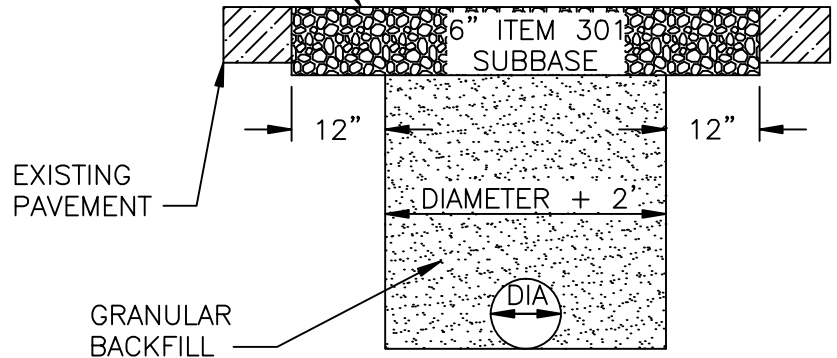
ITEM 409 SEAL COAT BITUMINOUS MATERIAL
@ 0.30 GAL/SQ YD

ITEM 409 SEAL COAT AGGREGATE
NO. 8 @ 0.008 CU YD/SQ YD



**TYPE-E
TAR AND CHIP ALLEYS**

ITEM 408 BITUMINOUS PRIME COAT
@ 0.40 GAL/SY YD



**TYPE-F
TAR AND CHIP ALLEYS**

NOTES:

PERMANENT PAVEMENT REPLACEMENT SHALL NOT BE PERFORMED UNTIL SO ORDERED BY THE ENGINEER.

THE EDGE SHALL BE CUT VERTICLE AND TRIMMED TO PROVIDE A STRAIGHT LINE.

APPROVED _____

CITY ENGINEER

**TYPICAL PAVEMENT
REPLACEMENT FOR
TRENCHES**

CITY OF LANCASTER, OHIO
DEPARTMENT OF ENGINEERING

STANDARD
CONSTRUCTION DRAWING

DWG. BY: ...MAC.....
CHK'D BY:

FILE NUMBER
W-1C

REVISED: **3/5/07**