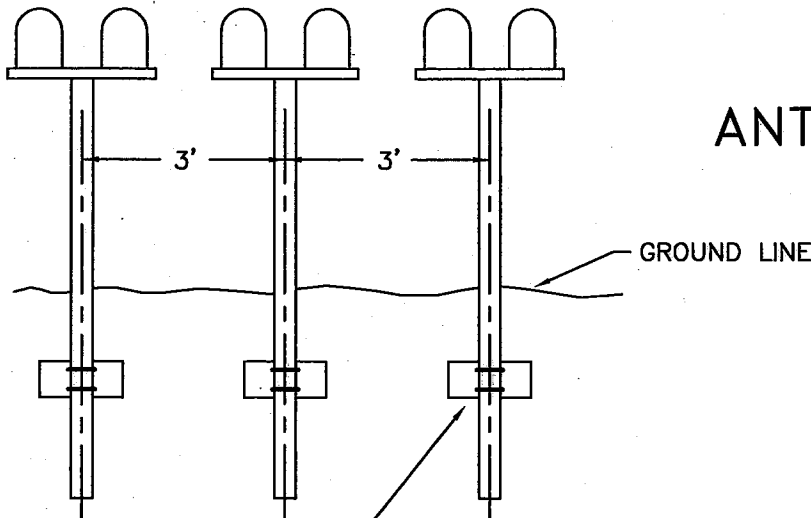


ANTI-TWIST PLATE



SEE SHEET 2 FOR
INSTALLATION POLICY

APPROVED 10-16-12
Brad Faquell
CITY ENGINEER

**MAILBOX
INSTALLATION**

CITY OF LANCASTER, OHIO
DEPARTMENT OF ENGINEERING

STANDARD
CONSTRUCTION DRAWING

DWG. BY: DDK
CHK'D BY: *RM*
FILE NUMBER
M-5 SHEET
1 OF 2

REVISED: 15 OCT 12

MAILBOX INSTALLATION POLICY

All mailbox units, attachments, decaling, supports and installation thereof are to be in strict accordance with the United States Postal Regulations and in compliance with the following:

1. The mailbox unit shall be entirely of plastic and or lightweight galvanized steel construction. Newspaper delivery boxes shall be of the same type of construction and of minimum dimensions suitable for holding newspapers.
2. The mailbox unit to support attachment should be of sufficient strength to prevent the box from separating from the post top if struck by a vehicle.
3. The support structure (post) shall be of a breakaway nature; single 4-inch x 4-inch or 4 1/2-inch diameter wooden post; or a metal post with a strength no greater than a 2-inch diameter standard strength steel pipe (with a weight not in excess of 2.6 lbs. per foot) and embedded no more than 24 inches into the ground. A metal post shall not be fitted with an anchor plate, but it may have an anti-twist device that extends no more than 10 inches below the ground surface. Mailbox supports shall not be set in concrete.
4. Multiple mailbox units of more than two boxes may not be mounted on one support unless the support structure and mailbox arrangement have been shown to be safe by crash testing. However, lightweight newspaper boxes may be mounted below the mailbox on the side of the mailbox support.
5. The minimum spacing between the centers of supports (post) shall be three-feet between posts.
6. The unit shall be placed at an offset from the edge of the traveled way to insure that the roadside face of the mailbox is 12 inches outside the all-weather surface of the shoulder. When a mailbox is installed in the vicinity of the existing guardrail, it shall be placed behind the guardrail.
7. Any mailbox or mailbox installation deemed to be hazardous to traffic shall be removed from the public right-of-way.

APPROVED <u>10-16-12</u>  CITY ENGINEER	MAILBOX INSTALLATION	CITY OF LANCASTER, OHIO DEPARTMENT OF ENGINEERING				
REVISED: 15 OCT 12		STANDARD CONSTRUCTION DRAWING				
		<table style="width: 100%; border-collapse: collapse;"> <tr> <td style="border-right: 1px solid black; padding: 2px;"> DWG. BY: DDK </td> <td style="padding: 2px;"> FILE NUMBER </td> </tr> <tr> <td style="border-right: 1px solid black; padding: 2px;"> CHK'D BY: <i>RM</i> </td> <td style="padding: 2px;"> M-5 SHEET 2 OF 2 </td> </tr> </table>	DWG. BY: DDK	FILE NUMBER	CHK'D BY: <i>RM</i>	M-5 SHEET 2 OF 2
DWG. BY: DDK	FILE NUMBER					
CHK'D BY: <i>RM</i>	M-5 SHEET 2 OF 2					