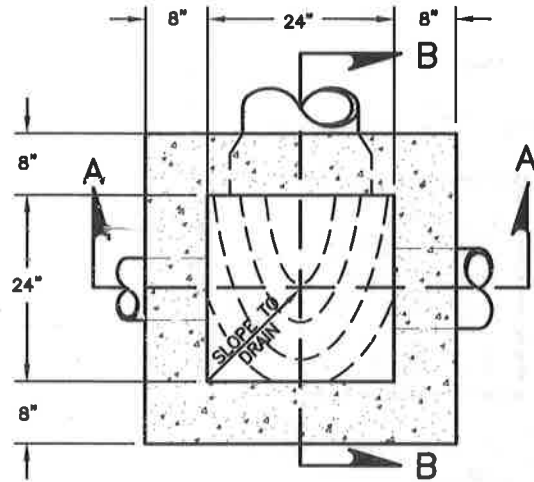
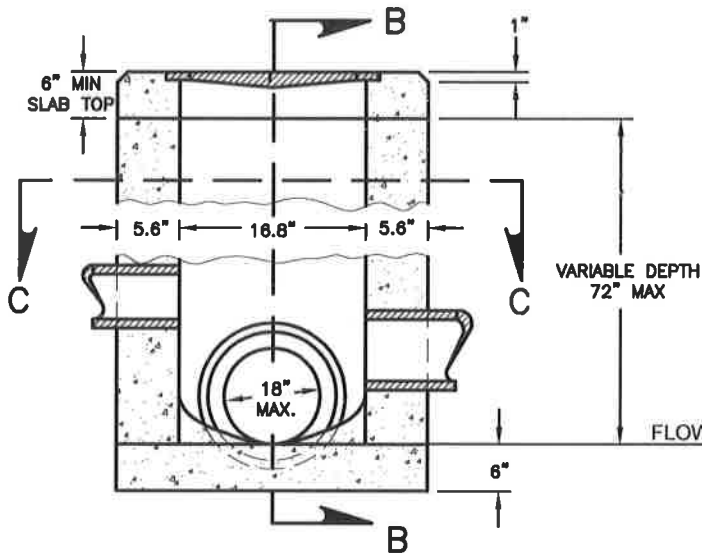


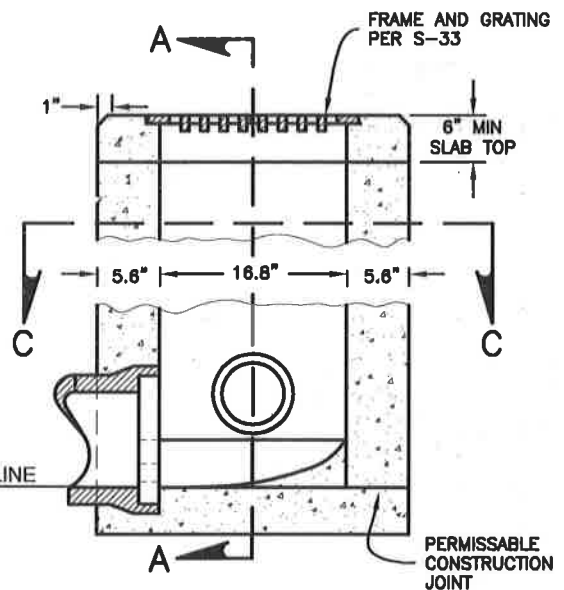
GRATE-PLAN VIEW



SECTION C-C



SECTION A-A



SECTION B-B

NOTES:

1. **WALLS:** CAST-IN-PLACE UNITS SHALL HAVE A NOMINAL THICKNESS OF 8" AND MIN. THICKNESS OF 6". PRECAST WALLS SHALL BE REINFORCED SUFFICIENTLY TO PERMIT SHIPPING AND HANDLING WITHOUT DAMAGE.
2. **CONCRETE:** CAST-IN-PLACE CONC. IS TO BE CLASS "C". PRECAST CONC. SHALL MEET REQUIREMENTS OF CMS 706.13 AND BE MARKED WITH CATCH BASIN NUMBER.
3. **PRECAST BASE:** IF A PRECAST BASE IS USED IT SHALL BE PLACED DEEP ENOUGH SO THAT THE TOP 6" CAN BE ADJUSTED TO PROVIDE THE GRATE ELEVATION SPECIFIED IN PLANS OR TO ALLOW POSITIVE DRAINAGE.
4. **MINIMUM DEPTH:** MINIMUM DEPTH SHALL BE THE OUTSIDE DIA. (O.D.) OF THE OUTLET PIPE PLUS 4".
5. **STEPS:** STEPS SHALL BE PROVIDED WHERE DEPTH EXCEEDS 4' AND SHALL MEET REQUIREMENTS OF S-13

APPROVED 5-30-14
Brad Fogwell
 CITY ENGINEER
 REVISED: 5/21/2014

STANDARD CATCH BASIN
(18" DIAMETER AND SMALLER PIPE)

CITY OF LANCASTER, OHIO
 DEPARTMENT OF ENGINEERING
 STANDARD CONSTRUCTION DRAWING
 DWG. BY: NZ
 CHK'D BY: SW
 FILE NUMBER
 S-29