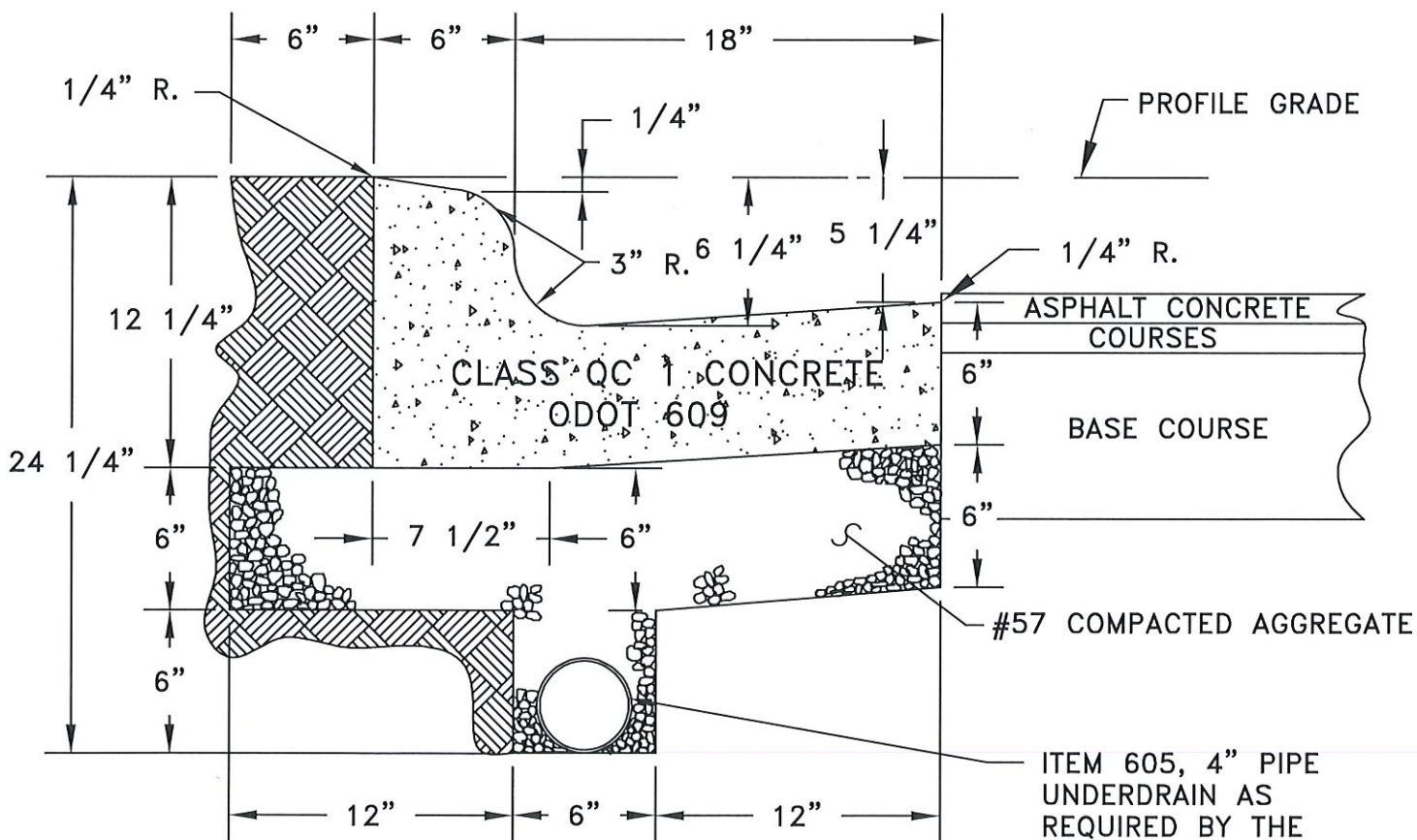



JOINT SPACING DETAIL



1. 1.26 C.F. CONCRETE PER L.F.
2. ALL EXPOSED SURFACES OF CONCRETE CURB & GUTTER SHALL HAVE A BRUSH FINISH.
3. #57 STONE TO BE INCLUDED IN THE COST OF ITEM 609, COMBINED CURB AND GUTTER.
4. ITEM 605, PIPE UNDERDRAIN TO BE PAID SEPARATELY UNLESS OTHERWISE SHOWN IN THE PLANS.

APPROVED 12-07-20

 CITY ENGINEER

REVISED: 07 DEC 20

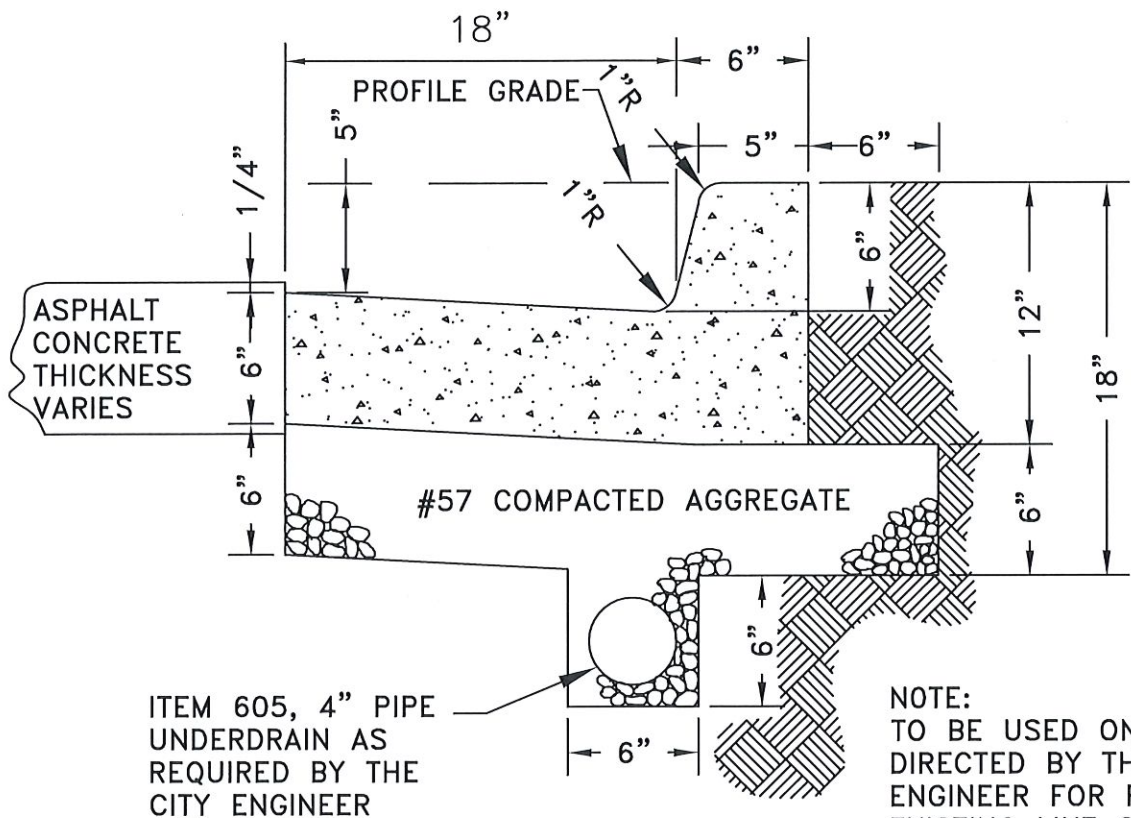
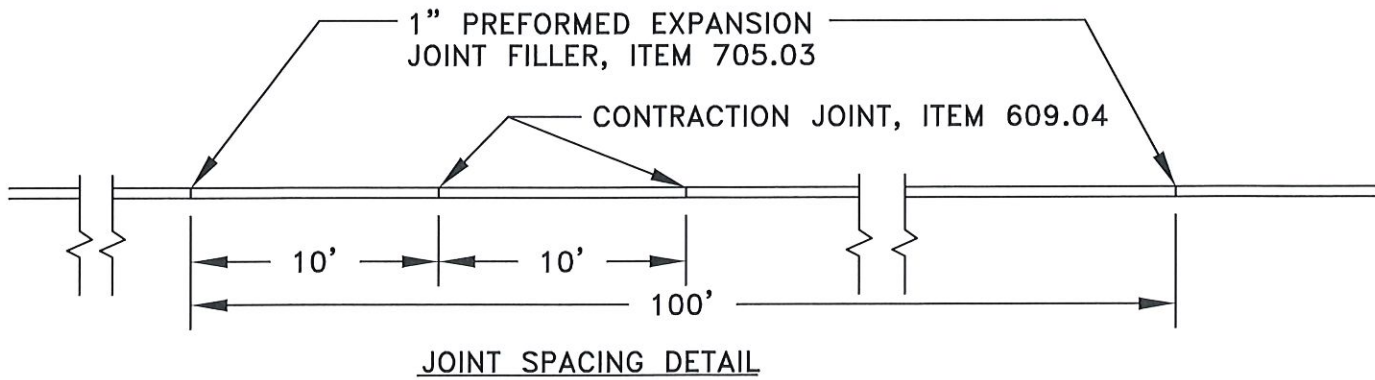
TYPICAL
CURB AND
GUTTER

CITY OF LANCASTER, OHIO
DEPARTMENT OF ENGINEERING

STANDARD
CONSTRUCTION DRAWING

DWG. BY: ADH
CHK'D BY: CS

FILE NUMBER
P-3 1 of 2



NOTE:
 TO BE USED ONLY AS
 DIRECTED BY THE CITY
 ENGINEER FOR REPLACING
 EXISTING LIKE SECTIONS
 OF CURB.

APPROVED 12-07-20
Mitel Nohel
 CITY ENGINEER

REVISED: 07 DEC 20

SPECIAL
 CURB &
 GUTTER

CITY OF LANCASTER, OHIO
 DEPARTMENT OF ENGINEERING

STANDARD
 CONSTRUCTION DRAWING

DWG. BY:ADH.....
 CHK'D BY:CS.....

FILE NUMBER
P-3 2 of 2