


VALVE BOX TOP

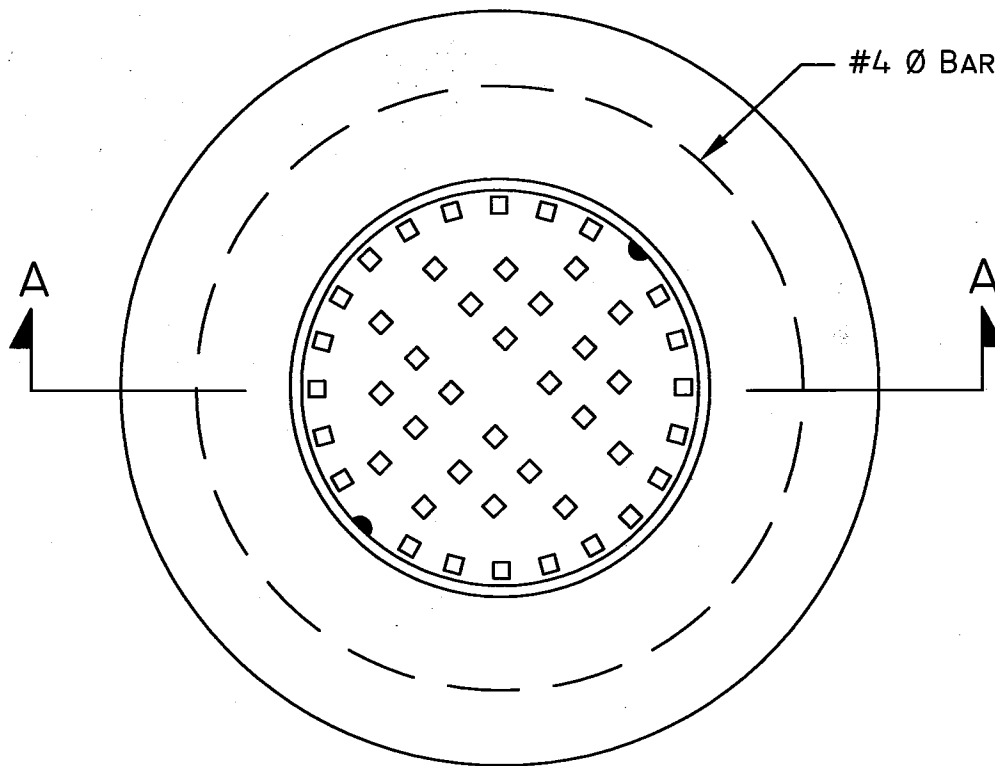
NOTES:

ALL VALVE BOX CASTINGS SHALL CONFORM TO THIS ADJUSTMENT DETAIL.

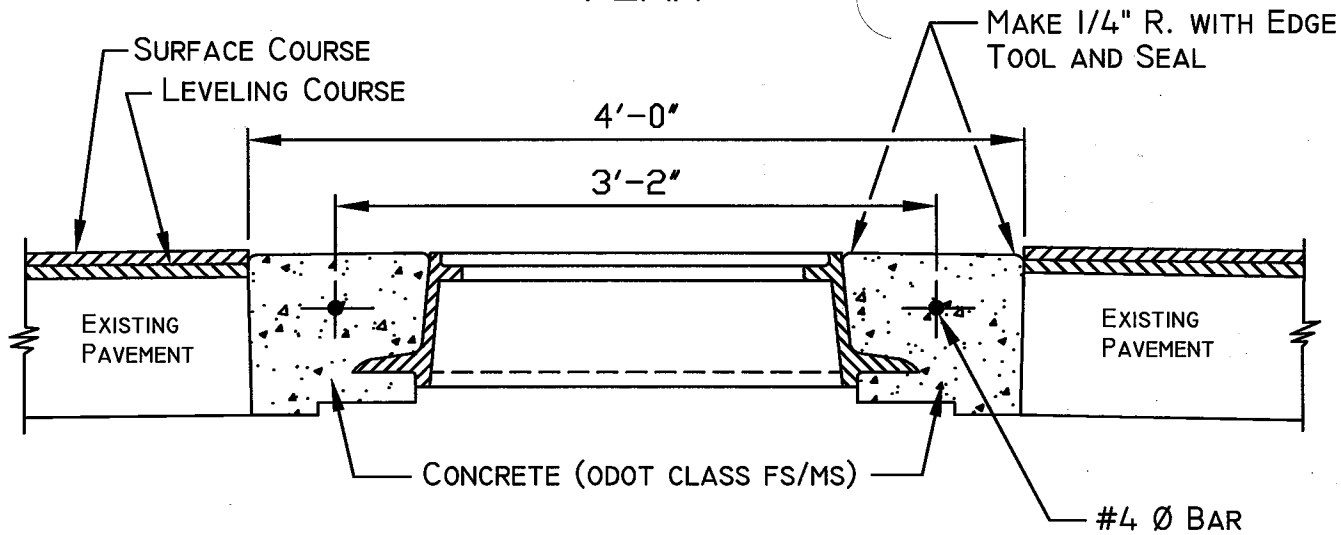
ADJUSTMENT OF UTILITY CASTINGS

UTILITY CASTINGS WILL BE ADJUSTED TO GRADE IF THE UTILITY CASTING IS MORE THAN 1/8" (MAX) BELOW OR ABOVE THE FINISHED PAVEMENT SURFACE. THE ENGINEER SHALL MAKE A DETERMINATION OF THOSE UTILITY CASTINGS TO BE ADJUSTED AFTER THE PLACEMENT OF THE FINAL ASPHALT PAVEMENT COURSE. THE WORK SHALL BE PERFORMED IN ACCORDANCE WITH THE PERTINENT ODOT CMS SPECIFICATION.

| | | | |
|--|--|---|--|
| APPROVED <u>3-11-13</u> | TYPICAL CONSTRUCTION FOR UTILITY CASTING ADJUSTMENT | CITY OF LANCASTER, OHIO DEPARTMENT OF ENGINEERING | |
|  CITY ENGINEER | | STANDARD CONSTRUCTION DRAWING | |
| REVISED: 8 MAR 13 | | <table border="1" style="width: 100%;"> <tr> <td style="width: 50%;"> DWG. BY: <u>DDK</u> CHK'D BY: <u>BM</u> </td> <td style="width: 50%; text-align: center;"> FILE NUMBER P-5 </td> </tr> </table> | DWG. BY: <u>DDK</u> CHK'D BY: <u>BM</u> |
| DWG. BY: <u>DDK</u> CHK'D BY: <u>BM</u> | FILE NUMBER P-5 | | |




PLAN



SECTION A - A

A STANDARD DRUM WITH WARNING LIGHT PER OMUTCD C-8 SHALL BE PLACED ON THE MANHOLE UNTIL SUFFICIENT TIME HAS ELAPSED FOR THE CONCRETE TO CARRY TRAFFIC.

| | | |
|---|---|---|
| APPROVED <u>3-11-13</u>  CITY ENGINEER | TYPICAL CONSTRUCTION FOR UTILITY CASTING ADJUSTMENT | CITY OF LANCASTER, OHIO DEPARTMENT OF ENGINEERING |
| REVISED: 8 MAR 13 | | STANDARD CONSTRUCTION DRAWING DWG. BY: DDK CHK'D BY: RM FILE NUMBER P-5 SHEET 2 OF 2 |