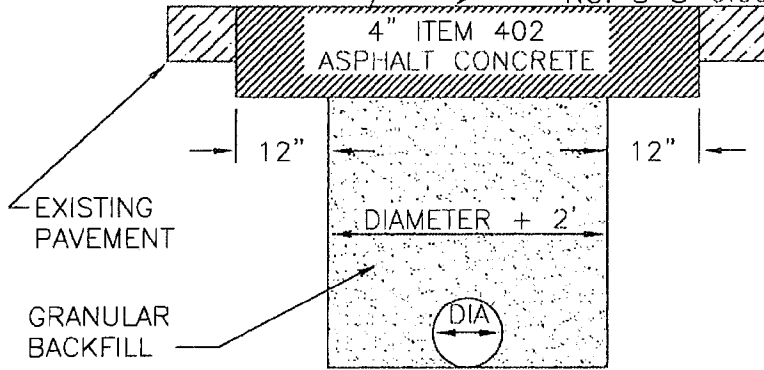


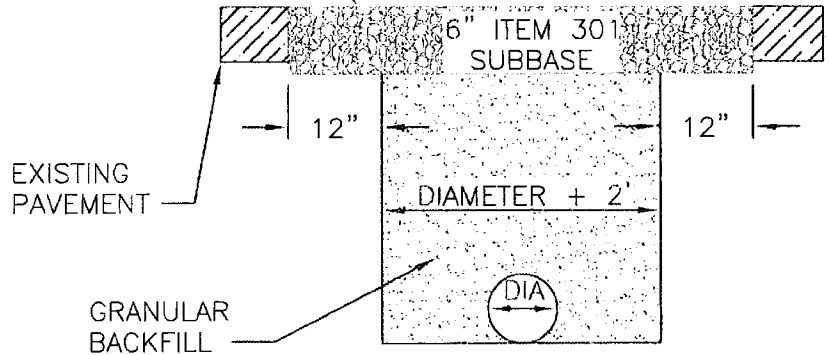
ITEM 409 SEAL COAT BITUMINOUS MATERIAL  
 @ 0.30 GAL/SQ YD

ITEM 409 SEAL COAT AGGREGATE  
 NO. 8 @ 0.008 CU YD/SQ YD



**TYPE-E  
 TAR AND CHIP ALLEYS**

ITEM 408 BITUMINOUS PRIME COAT  
 @ 0.40 GAL/SY YD



**TYPE-F  
 TAR AND CHIP ALLEYS**

**NOTES:**

PERMANENT PAVEMENT REPLACEMENT SHALL NOT BE PERFORMED UNTIL SO ORDERED BY THE ENGINEER.

THE EDGE SHALL BE CUT VERTICLE AND TRIMMED TO PROVIDE A STRAIGHT LINE.

APPROVED _____  _____ CITY ENGINEER	<b>TYPICAL PAVEMENT          REPLACEMENT FOR          TRENCHES</b>	CITY OF LANCASTER, OHIO DEPARTMENT OF ENGINEERING	
REVISED: 3/5/07		STANDARD CONSTRUCTION DRAWING DWG. BY: ...MAC..... FILE NUMBER CHK'D BY: ..... W-1C	